

# RADAR INTERCONNECT

Our robust pluggable integrated assembly **provides reliable and solder-free connection** and **addresses the EMI shielding requirement** for a radar sensor system.



## RELIABLE PERFORMANCE

- Resistant to EMI and enhances reliability with our physical vapor deposition (PVD) coating.



## AUTOMOTIVE-APPROVED PRESS-FIT TECHNOLOGY

- Robust, repeatable and highly reliable.



## PLUGGABLE & SOLDER-FREE

- Designed to be compact and cost-effective, with solder-free connection.

## RADOME

- Radome as a permeable protective structure for the radar system.

## EMI SHIELDING

- EMI shielding with PVD coating for excellent adhesion and conductivity, providing outstanding coverage in hard-to-reach locations without altering part dimensions.

## 0.4 EON / 0.64 EON PRESS-FIT PINS

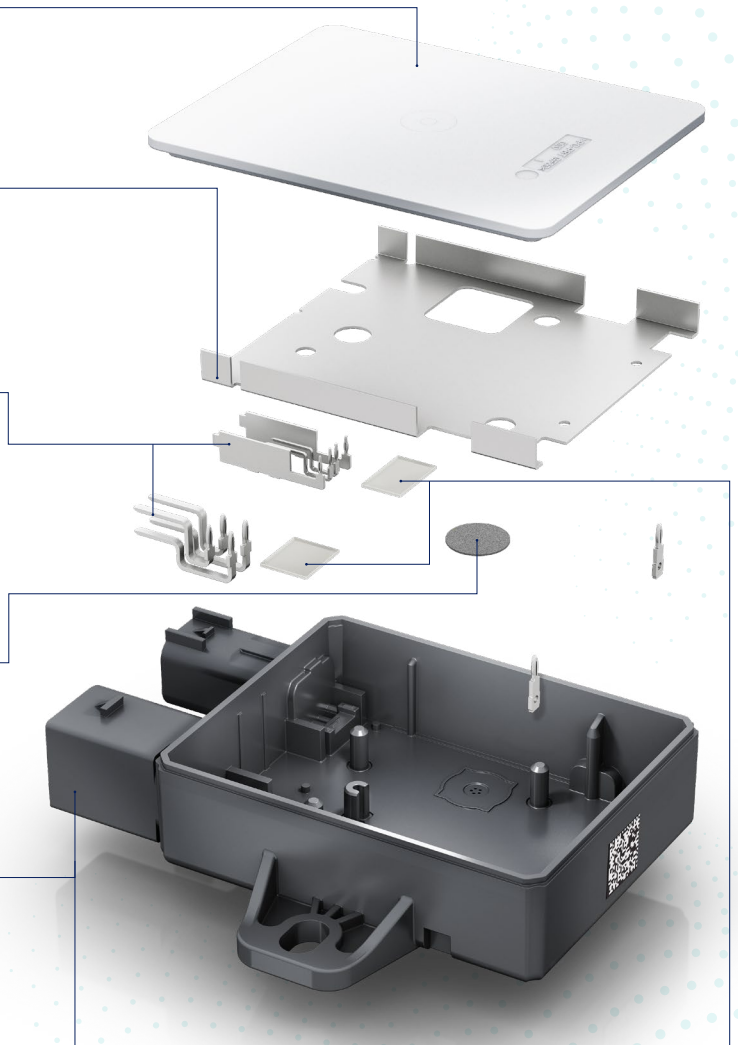
- Option for automotive qualified plating including standard tin, tin flash, silver-tin, and IndiCoat™, a whisker mitigation plating technology developed by Interplex to prevent potential short circuits.
- CAN and Ethernet interfaces.

## MEMBRANE

- Membrane for contamination control while reducing pressure differentials.

## MAIN HOUSING WITH UV GLUE POTTING AT THE TERMINAL AREA

- Engineering plastics with low induction rate and electromagnetic wave shielding properties.
- Robust sealing between terminals and plastic housing.



0101R10103

NEED A CUSTOMIZED SOLUTION?

[CONTACT US](#)