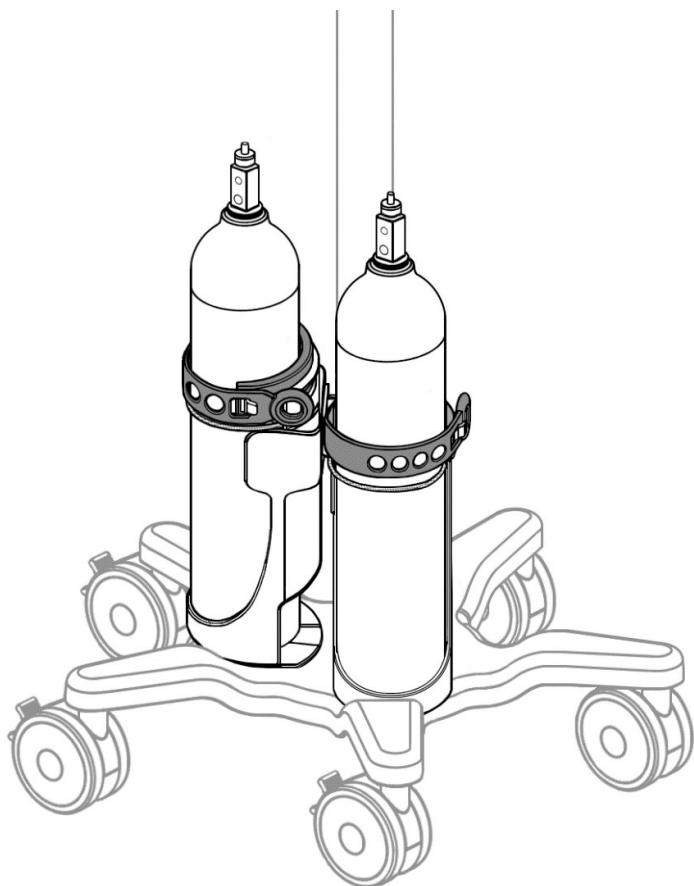
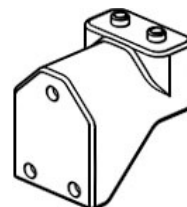


## Installation Instructions

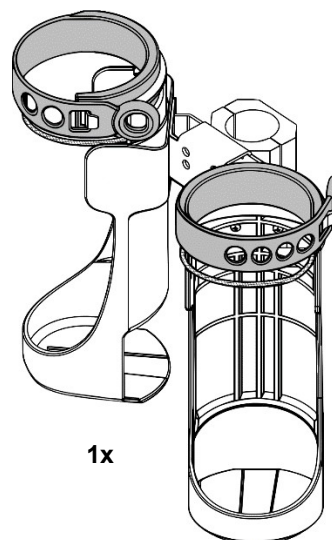
### Canister Holder for E-size Cylinder (11-cm/4.3-in. diameter)



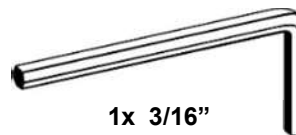
**REF** NP-2008-03-0001



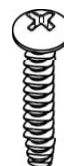
1x



1x



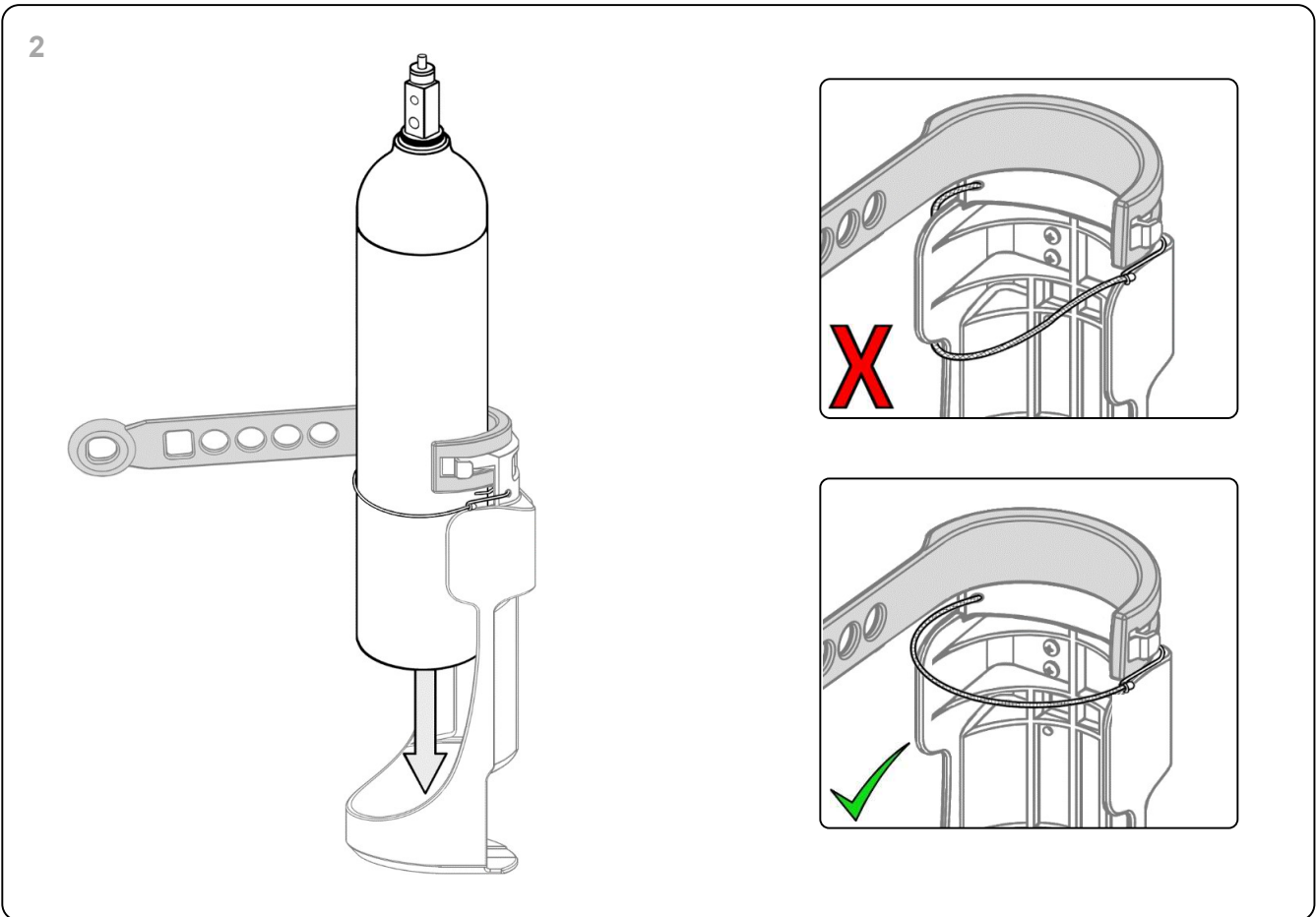
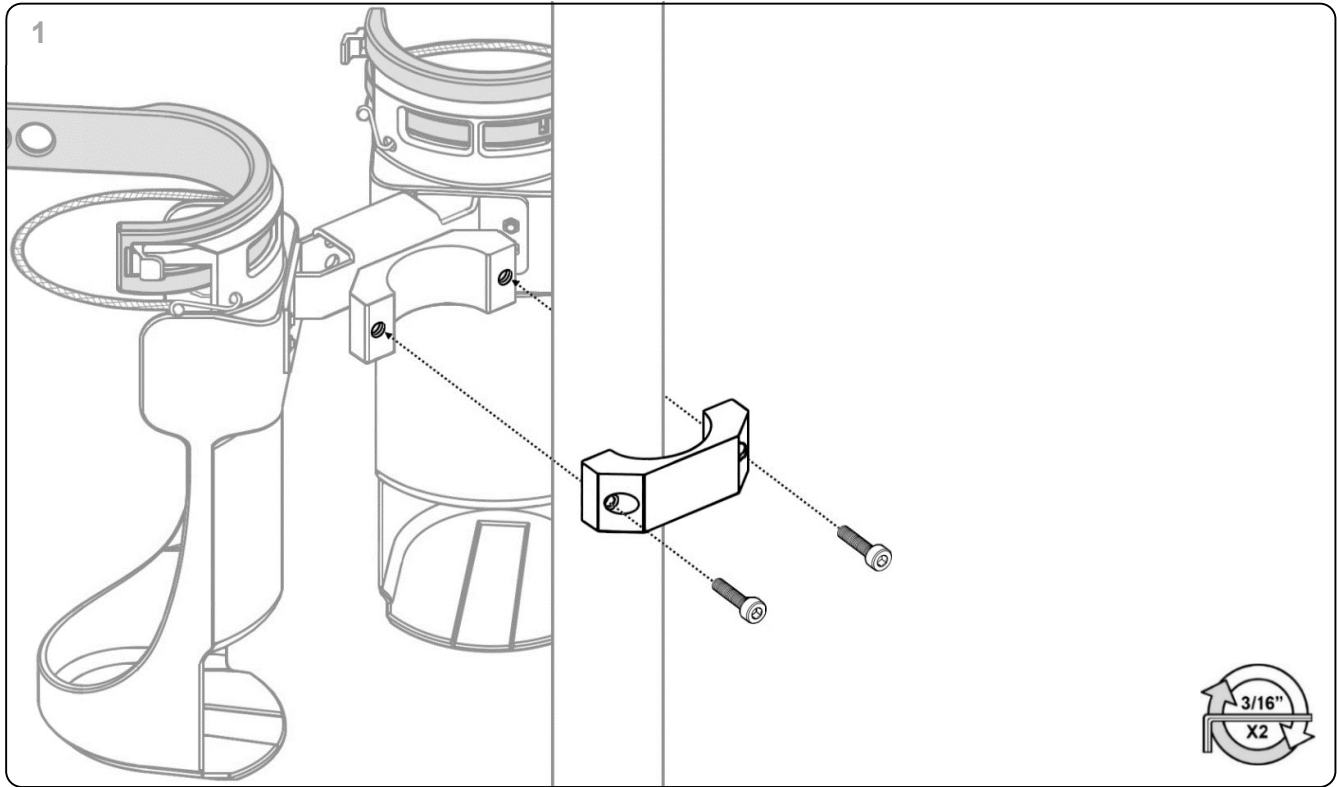
1x 3/16"

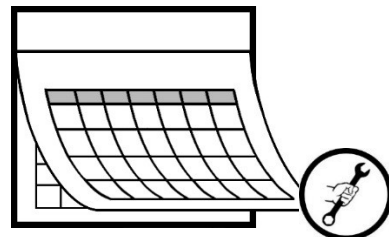
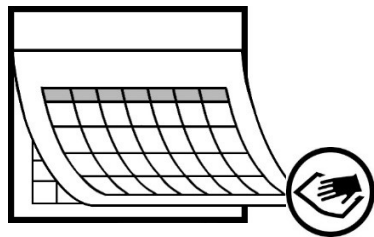
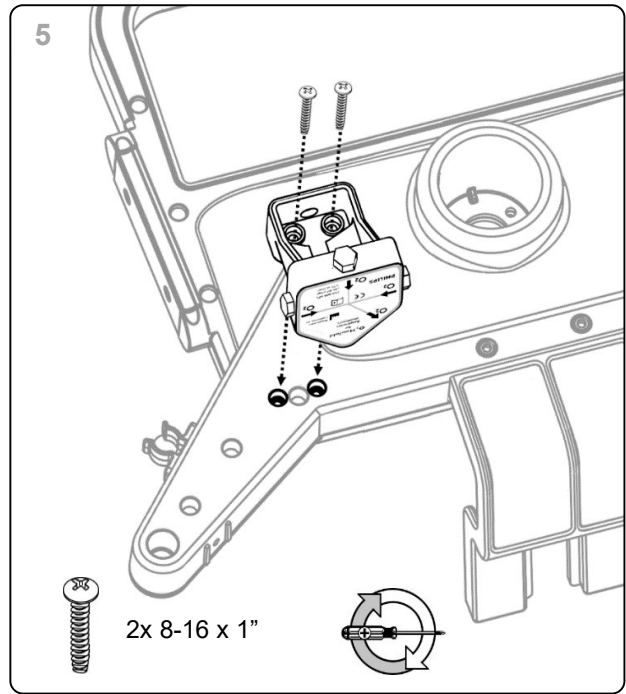
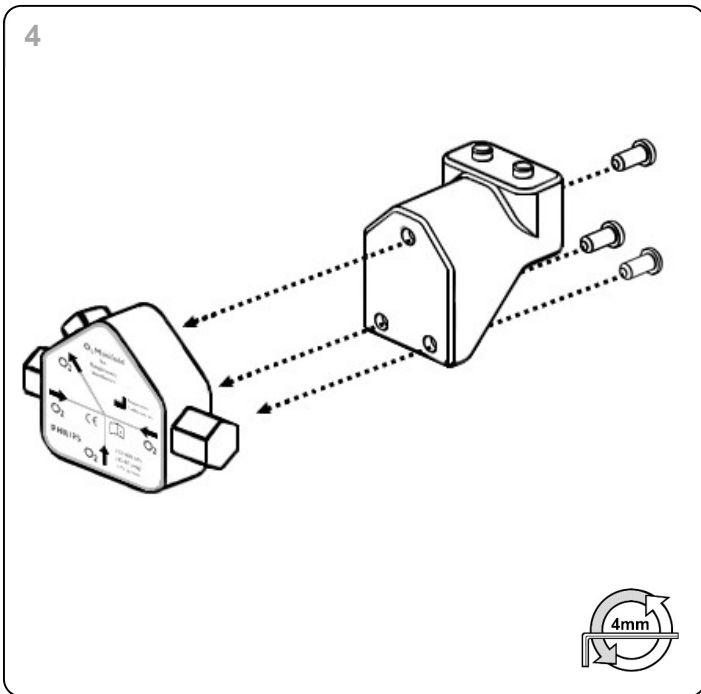
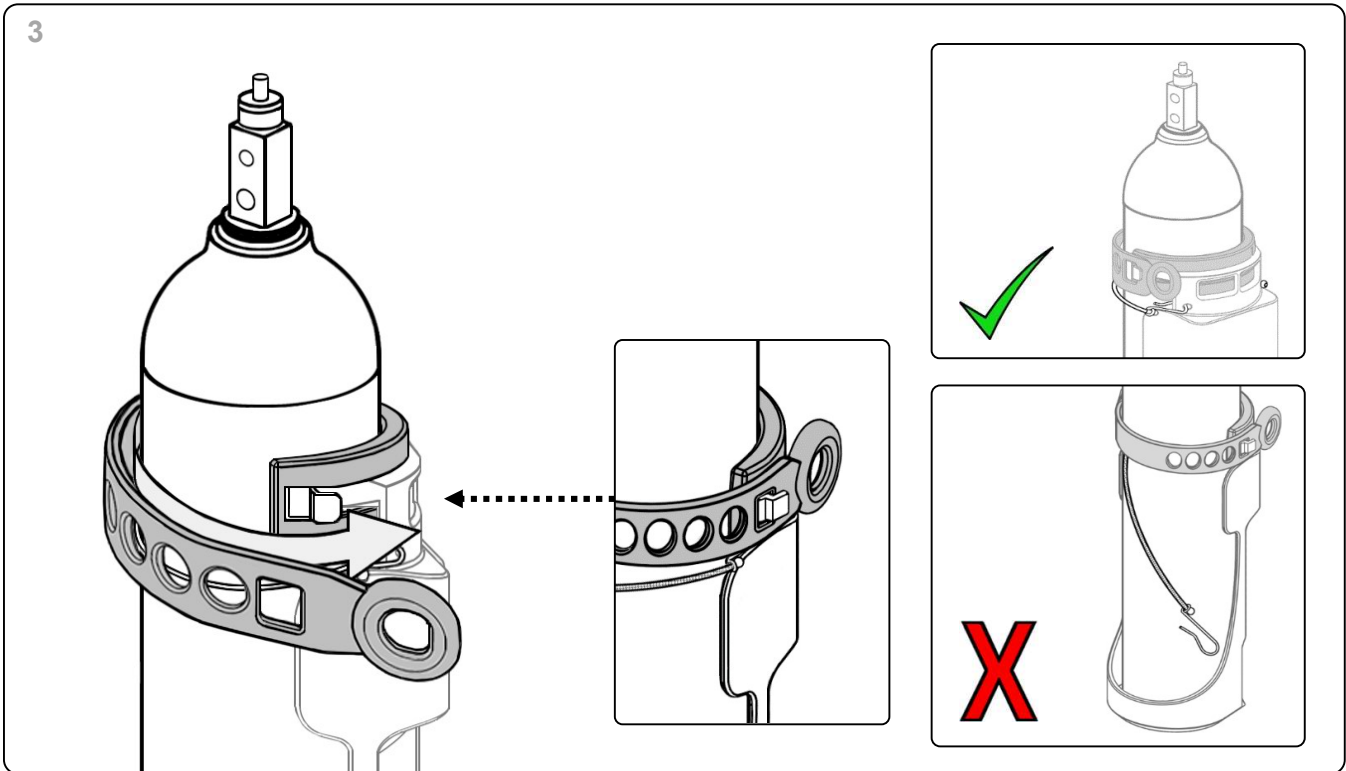


2x 8-16 x 1"



Interplex (Suzhou) Precision Engineering Ltd.  
21 Lou Yang Street, CSS Industrial Park Suzhou, Jiangsu  
Province, P.R. China 215122  
rollstand@interplex.com  
www.interplex.com





Cleaning and Maintenance Guidelines  
<https://www.interplex.com/ifu>